

ASSEMBLY INSTRUCTIONS

Tools Needed: Phillips head screw driver and 7/16 inch /10mm or 11mm socket/wrench.

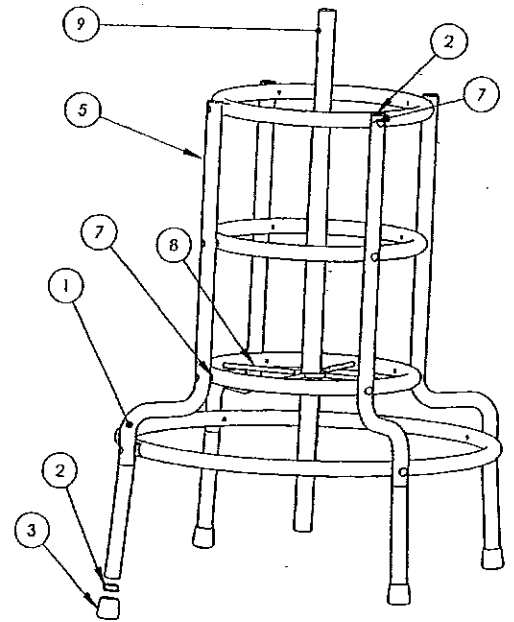
Helpful hints for proper and easier assembly. Mainly applies to the table base.

- Two people. An extra set of hands to hold the parts while the other tightens the nut and bolt is suggested.
- When attaching legs to rings, start with the large bottom ring first.
- Loosely attach the legs to the rings at first. You will need some play in the base in order to make alignment adjustments and make it easier to attach the rings to the legs.
- Do not over tighten the nuts and bolts or this could damage the stabilizer blocks and dent the aluminum legs and rings.
- Before putting in the pool, check the Pool Feet to make sure no rocks are stuck on the bottom. Failure to do this could result in damage to your pool liner.

TABLE BASE: (See Figures 1 & 2)

1. Insert stabilizer blocks **(10)** into large holes on outside of large, bottom ring **(1)**. Make sure that the drain holes are facing down.
2. Have your assistant hold the table leg **(5)** to the outside of bottom ring and stabilizer block.
3. Insert Phillips pan head screw **(6)** through the large hole on outside of leg, through the stabilizer block and table ring. Attach loosely with a nylon lock hex nut **(4)**.
4. Repeat process with smaller middle rings **(7)**. Make sure to start with the ring with the umbrella support **(8)**. Make sure that all the drain holes are facing down.
5. Snug up all the bolts adjusting the table legs to make sure they are straight and square to the rings.
6. When table base is squared up, tighten the nuts and screws.
7. Put large Pool Feet **(3)** on bottom of table legs.
8. Place table top **(11)** on base. Small ring should be centered inside the 4 threaded holes. Put the table top clamp **(12)** over the ring and attach by screwing the threaded knob **(13)** into the threaded hole in table top. (See Figure 3).

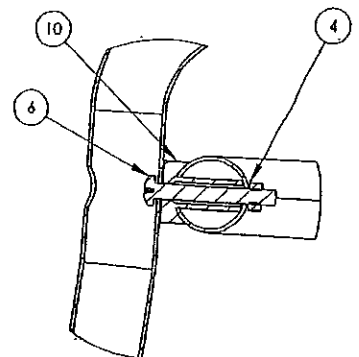
Figure 1



CHAIRS: (See Figure 4)

1. Attach side supports **(2)** between the front and rear chair Legs **(1)**. Insert the Phillips pan head screw **(4)** from outside of the chair leg through the side support. Attach with nylon lock hex nut **(5)**. Make sure the hex nuts are on the inside of the chair leg.
2. Put small Pool Feet **(3)** on each chair leg.

Figure 2



Parts List: Table Base and Table Top

<i>Item No.</i>	<i>Quantity</i>	<i>Part Description</i>
1	1	Bottom Ring
2	8	Leg/Tube Plugs: 2 for each leg; top and bottom; Installed
3	4	Large Pool Feet
4	16	Nylon Lock, Hex Nut
5	4	Table Legs
6	16	1/4-20 x 2.0" Phillips Pan Head Screw
7	3	Small Rings
8	1	Umbrella Support, Welded Into a Small Ring
9	1	Umbrella Support Pole
10	16	Stabilizer Block
11	1	42" Diameter Table Top
12	4	Table Top Clamp
13	4	Threaded Knob

Parts List: Chairs

<i>Item No.</i>	<i>Quantity</i>	<i>Part Description</i>
1	4	Chairs
2	8	Side Supports
3	16	Small Pool Feet
4	16	1/4-20 x 20 2.0" Phillips Pan Head Screw
5	16	Nylon Lock, Hex Nut

Figure 3

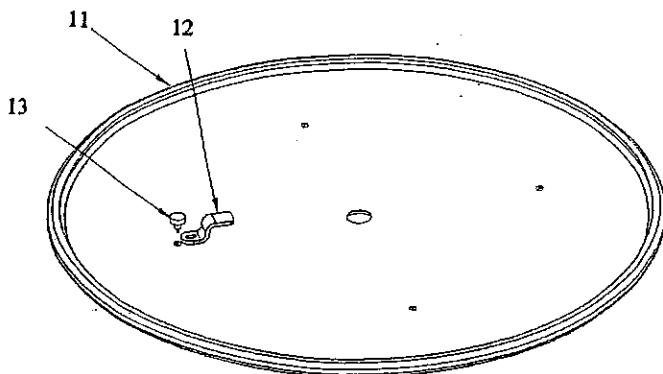


Figure 4

